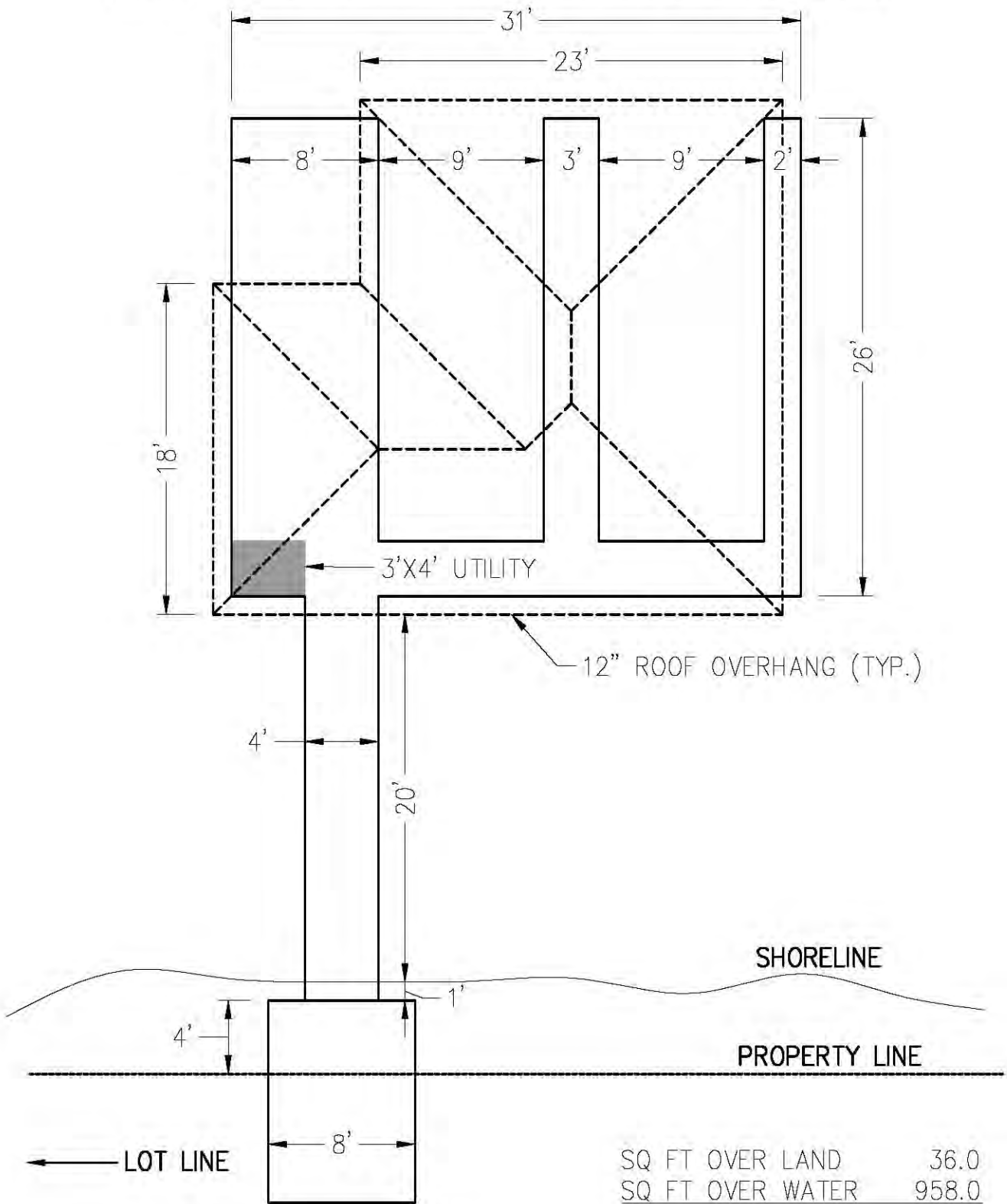


EXAMPLE 1: PLAN DRAWING

(NOTE: INCLUDES OVERHANG AND UNCOVERED SLIP DIMENSIONS)

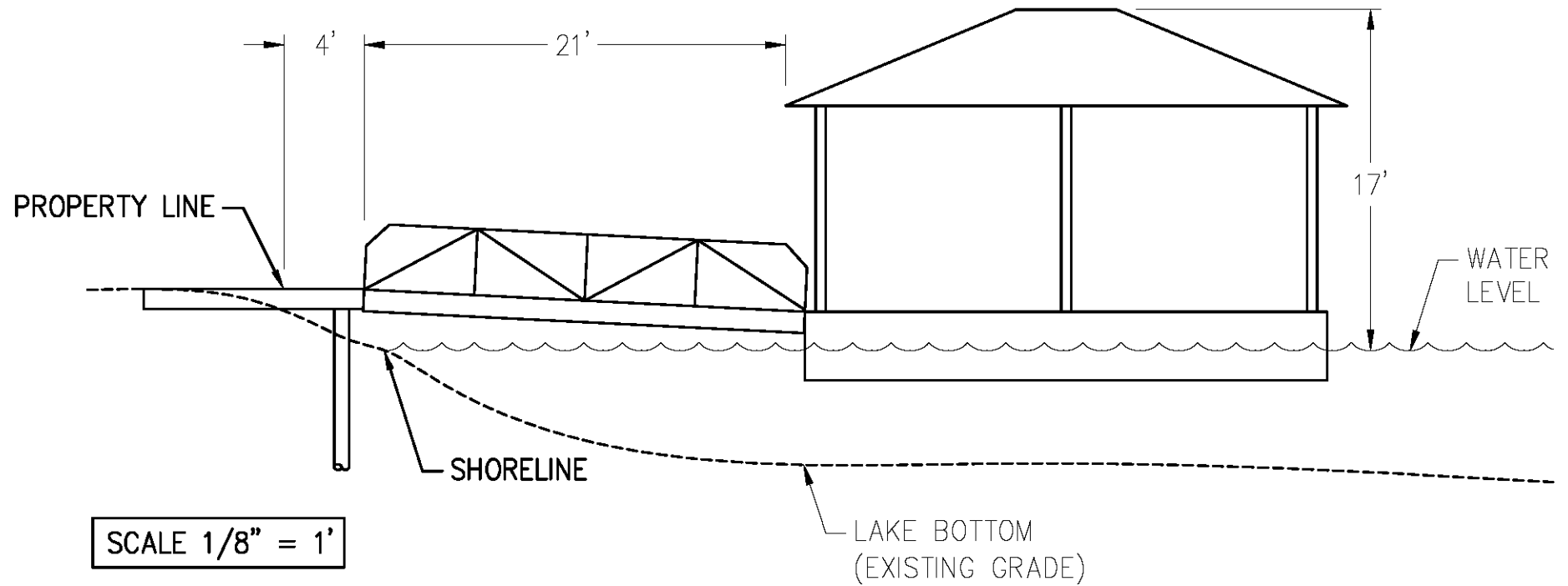


SQ FT OVER LAND	36.0
SQ FT OVER WATER	958.0
TOTAL SQ FT	996.0

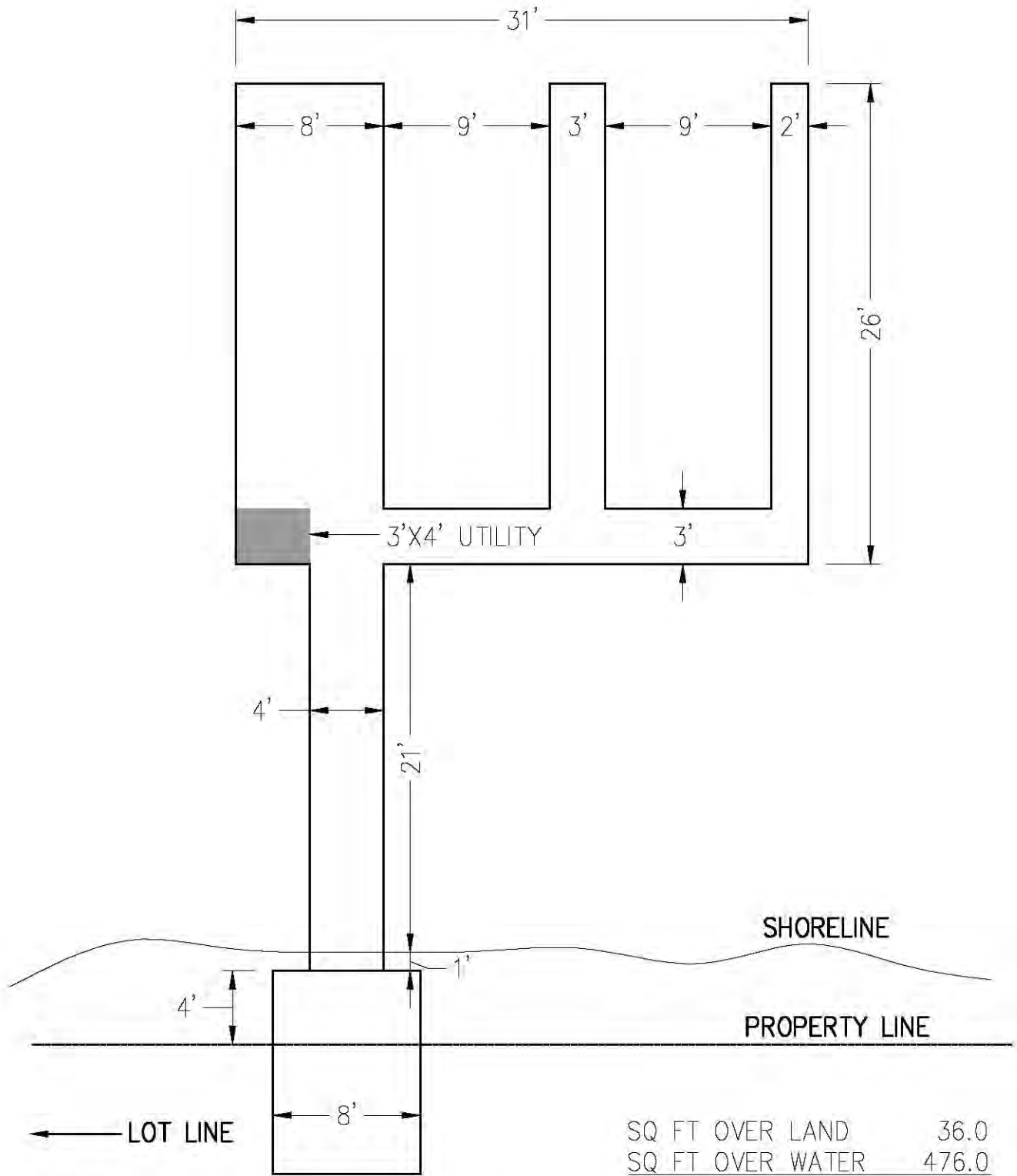
SCALE 1/8" = 1'

LOT #

EXAMPLE 1: PROFILE DRAWING



EXAMPLE 2: PLAN DRAWING



SQ FT OVER LAND	36.0
SQ FT OVER WATER	476.0
TOTAL SQ FT	512.0

SCALE 1/8" = 1'

LOT #

EXAMPLE 2: PROFILE DRAWING

